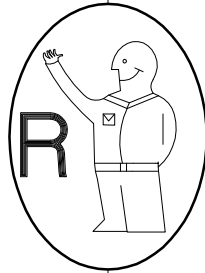
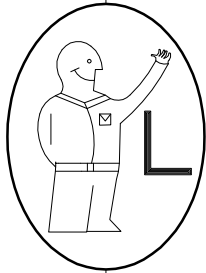


1

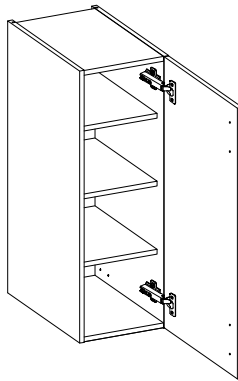
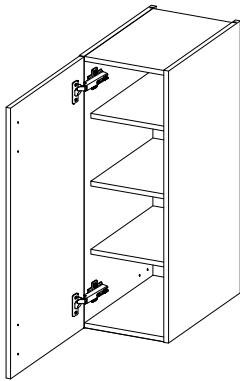
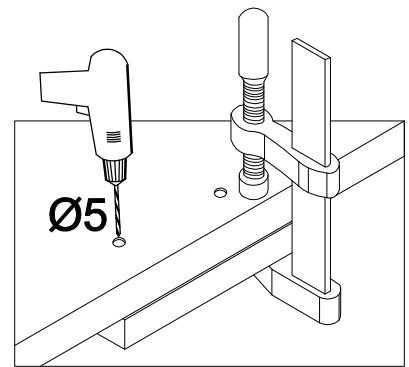
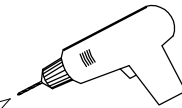
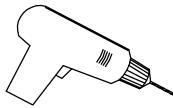
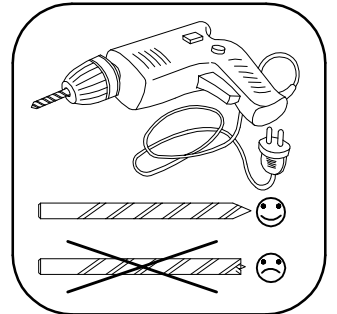
LEFT

RIGHT

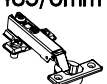



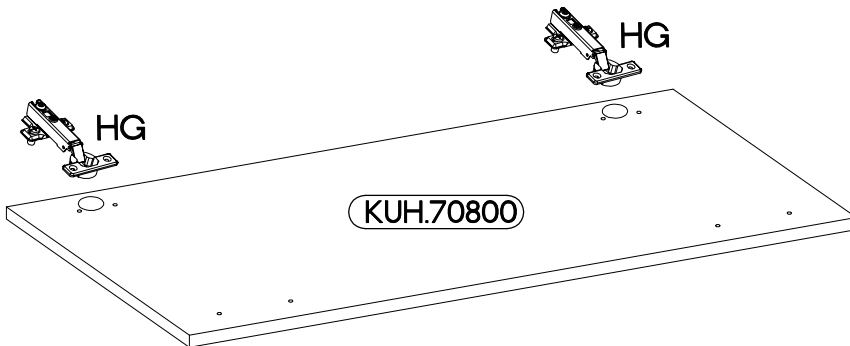
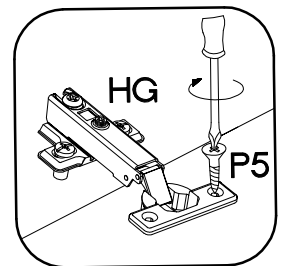
KUH.70800

KUH.70800



2

| | |
|---|---|
|  †35/0mm HG 2 |  †3.5x13mm P5 4 |
|---|---|



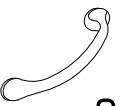
3

M4x22mm



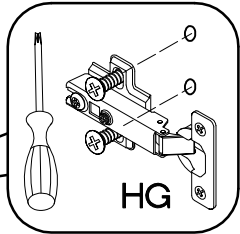
U

2

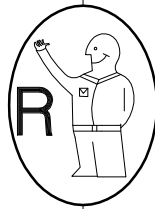


S

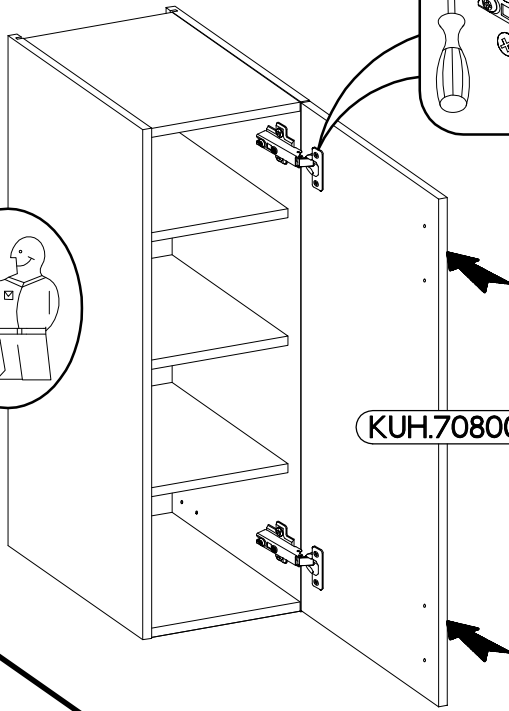
1



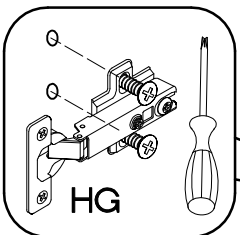
HG



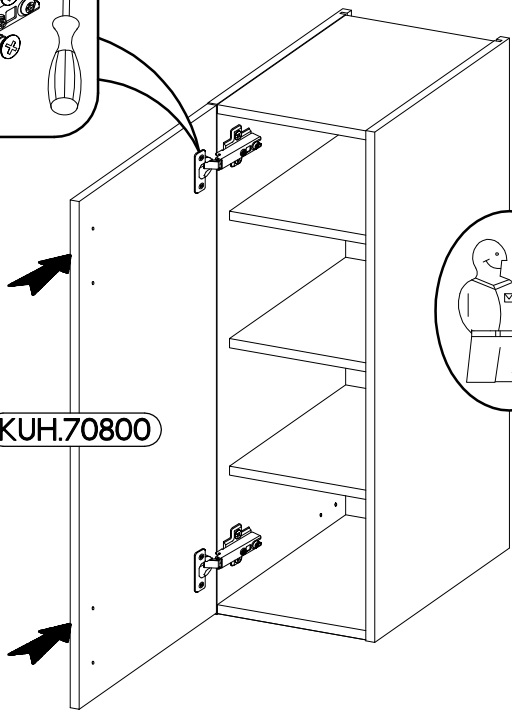
R



KUH.70800



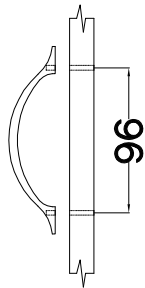
HG



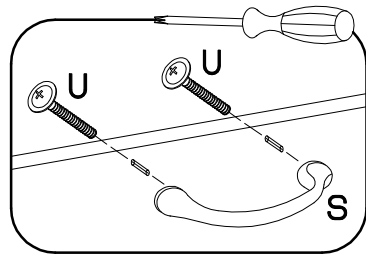
KUH.70800



L

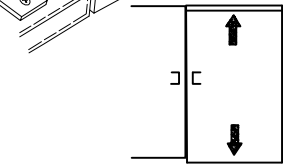
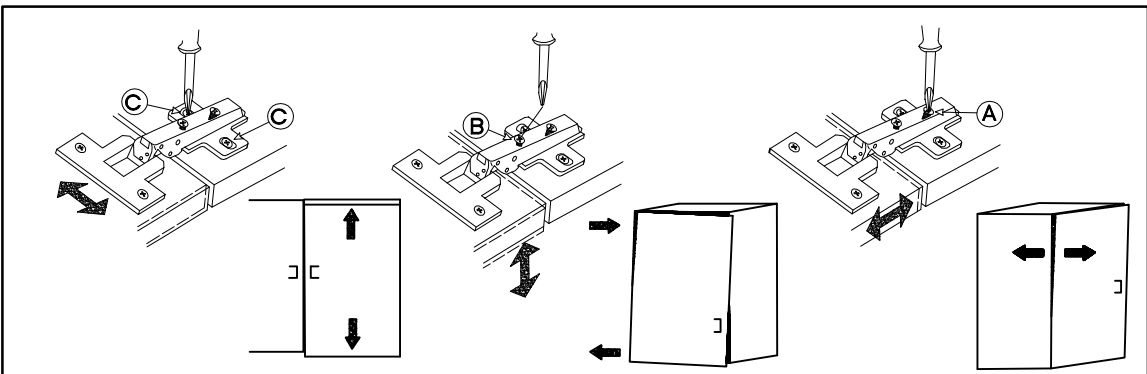


96

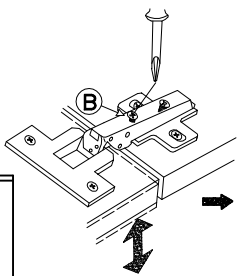


U

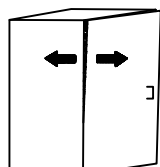
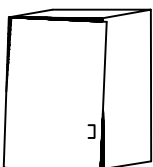
S



C



B



A